

## Type No. 410-071-011



MEGA-Line  
RACING ELECTRONIC GmbH  
Haunersdorfer Str.3  
D - 93342 Saal a.d. Donau

Germany

Phone: +49 (0) 9441 6866 - 0  
Fax: +49 (0) 9441 6866 - 11

Mail: [info@mega-line.com](mailto:info@mega-line.com)  
Web: [www.mega-line.com](http://www.mega-line.com)

### Description / features

The valve block is supplied with pressured air from the Central Unit AGS, which controls the three valves inside according to the actual shift situation. An internal sensor supplies information about the current temperature. For analyse runtime an internal statistic processor is integrated.

### Technical specifications

#### Electronic data:

Operating voltage	13.5V nom.
Operating current (electronic)	< 50mA
Operating current (per activated valve)	approx. 330mA

#### Mechanical data:

Dimensions L x W x H	approx. 122.5 x 102.2 x 64 mm
Weight	approx. 640 g / 1.41 lb
Fitting for air pressure inlet	Dash6
Fitting for air pressure up	Dash4
Fitting for air pressure down	Dash4
Fitting for air pressure blip	Dash3

#### Pneumatic data:

Max. operating pressure	6 - 8 bar
-------------------------	-----------

#### Connector:

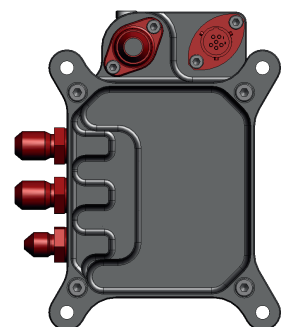
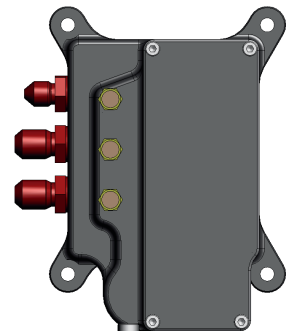
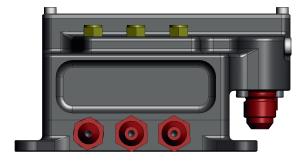
Deutsch 6 pin	AS008-35PN
loomsided	AS608-35SN

#### Temperature range:

Operating temperature (min/max)	0 .. 120°C
Recommended operating temperature	< 100°C

#### Ordering information:

Article no.	410-071-011
Order no.	7450



## Type No. 410-071-011

MEGA-Line  
RACING ELECTRONIC GmbH  
Haunersdorfer Str.3  
D - 93342 Saal a.d. Donau

Germany

Phone: +49 (0) 9441 6866 - 0  
Fax: +49 (0) 9441 6866 - 11

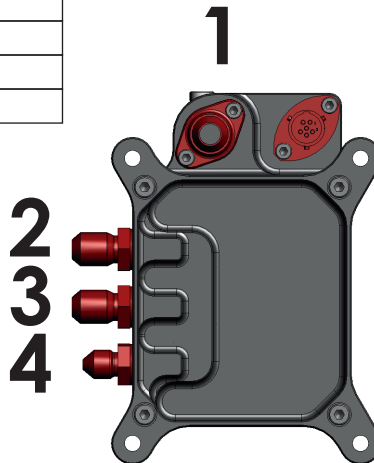
Mail: [info@mega-line.com](mailto:info@mega-line.com)  
Web: [www.mega-line.com](http://www.mega-line.com)

### Pin assignment (electric)

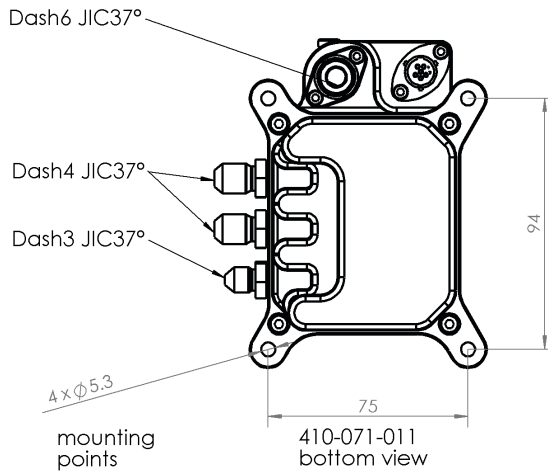
Pin	Function	Dia [AWG]	Type
1	+12V electronic	22	PWR
2	GND electronic	22	PWR
3	valve UP	22	digital in
4	valve DOWN	22	digital in
5	valve BLIP	22	digital in
6	temperature	22	analog out

### Port description (pneumatic)

Port	Function	Dimension	max.torque [Ncm]
1	Air pressure inlet	Dash6	1200
2	Air pressure DOWN	Dash4	1000
3	Air pressure UP	Dash4	1000
4	Air pressure BLIP	Dash3	800



### Assembly dimensions



### Mechanical dimensions

