

Type No. 380-021-011a

Description / features

The shift cylinder is a 2 - way actuator used for pushing / pulling the gearbox lever.
Pressure inlets are Dash 4.
Stroke is fixed at ± 12.0 mm.

Technical specifications

Mechanical data:

Dimensions L x W x H

approx. 125 x 44 x 83 mm

Weight

approx. 185 g

Fitting for air pressure 'push'

Dash4

Fitting for air pressure 'pull'

Dash4

Mode of operation

push / pull

Stroke pushing

+12.0 - 0.3 mm

Force pulling

-12.0 + 0.3 mm

Force

540N @ 6 bar

Pneumatic data:

Max. operating pressure

6 - 8 bar

Temperature range:

Ambient (min/max)

0 .. +100°C

Ordering information:

Article no.

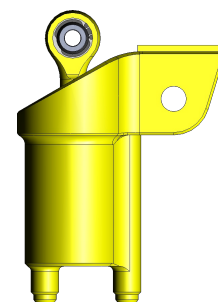
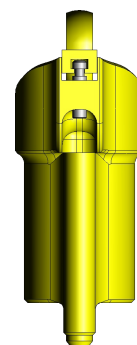
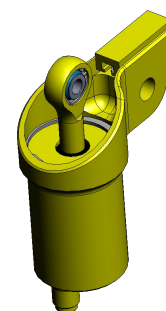
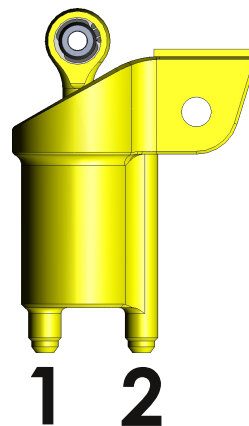
380-021-011a

Order no.

6734

Port description (pneumatic)

Port	Function	Dimension	max.torque [Ncm]
1	Air pressure PUSH	Dash4	1000
2	Air pressure PULL	Dash4	1000



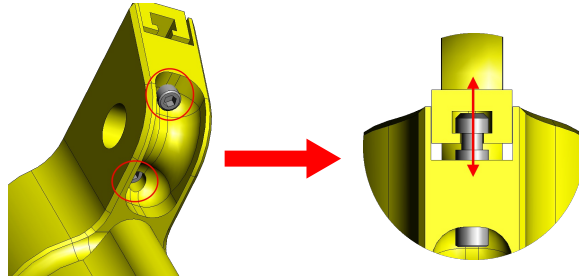
Type No. 380-021-011a

Mounting

Screw out hexagon socket set screws evenly, until height adjustment spacer is on lowest possible position.

Mount shift cylinder to your shift cylinder mounting plate.

Screw in hexagon socket set screws evenly, until backlash is cleared.



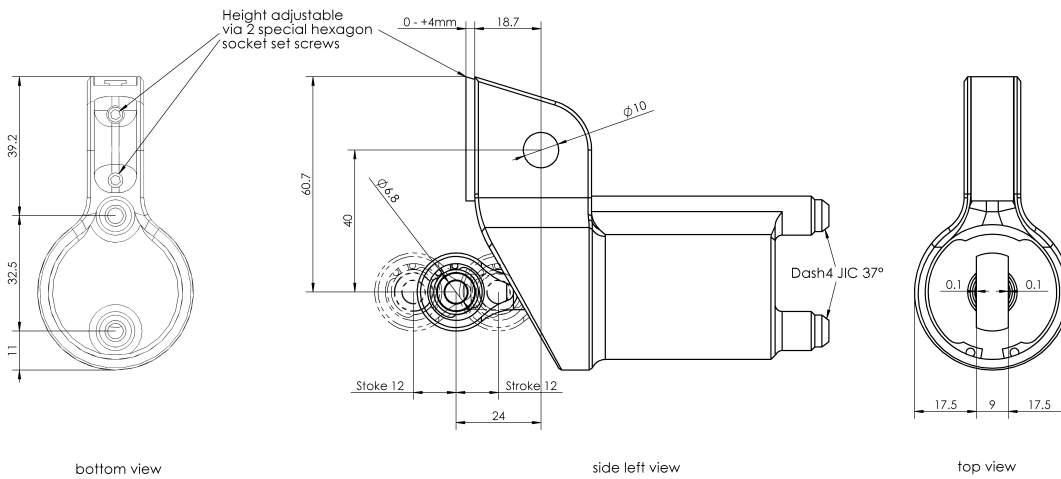
MEGA-Line
RACING ELECTRONIC GmbH
Haunersdorfer Str.3
D - 93342 Saal a.d. Donau

Germany

Phone: +49 (0) 9441 6866 - 0
Fax: +49 (0) 9441 6866 - 11

Mail: info@mega-line.com
Web: www.mega-line.com

Assembly dimensions



Mechanical dimensions

