

**Type No. 210-014-011**



MEGA-Line  
RACING ELECTRONIC GmbH  
Haunersdorfer Str.3  
D - 93342 Saal a.d. Donau

Germany

Phone: +49 (0) 9441 6866 - 0  
Fax: +49 (0) 9441 6866 - 11

Mail: info@mega-line.com  
Web: www.mega-line.com

## Description / features

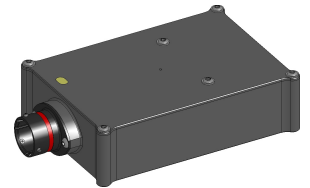
The Intelligent Autarkic Supply (IAS) has been designed as an add-on system in combination with the MEGA-Line E-Clutch Actuator and / or E-Shift Actuator to help comply with the FIA regulation for disengaging the drive train of stranded cars by the marshals.

According to the regulation, the disengagement of the drive train has to be achieved in parallel to a disconnected car main battery.

The IAS contains a suitable accumulator combined with the required functionalities to allow to boot the desired MEGA-Line E-device and achieve a disconnected drivetrain even with car master switch being "off" to enable the car to be pushed or towed.

The integrated accumulator (Li Ion) is permanently charged during standard car operation to ensure sufficient capacity.

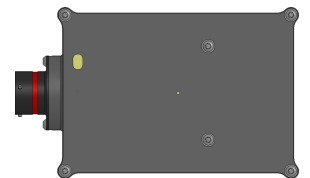
In order to allow scalability of the accumulator capacity, the unit also offers the possibility to connect an additional accumulator to react on increased supply needs.



## Technical specifications

### Electronic data:

Operating voltage	7.0..15.6V nom.
Standby current	< 0.5 mA
Peak current	max. 100A
Circuit breaker	not integrated



### Mechanical data:

Dimensions L x W x H	approx. 146 x 88 x 35 mm
Weight	375 g



### Connector:

Deutch 37 pin, flange mounted	AS014-35PN
Deutch 37 socket, loom side	AS614-35SN

### Temperature range:

Ambient	-25 °C ... +65 °C
---------	-------------------



### Ordering information:

Article no.	210-014-011
Order no.	12968

### Hazardous goods classification:



Shipping and air freighting possible.



Type No. 210-014-011

MEGA-Line  
RACING ELECTRONIC GmbH  
Haunersdorfer Str.3  
D - 93342 Saal a.d. Donau

Germany

Phone: +49 (0) 9441 6866 - 0  
Fax: +49 (0) 9441 6866 - 11

Mail: [info@mega-line.com](mailto:info@mega-line.com)  
Web: [www.mega-line.com](http://www.mega-line.com)

## Pin assignment

Pin	Function	Dia [AWG]	Type
1	+ 13.5V supply - in	22	pwr
2	GND supply	22	pwr
3	GND supply	22	pwr
4	GND supply	22	pwr
5	GND supply	22	pwr
6	optional: +13.5V supply - in (ext. accumulator)	22	pwr
7	optional: +13.5V supply - in (ext. accumulator)	22	pwr
8	optional: +13.5V supply - in (ext. accumulator)	22	pwr
9	optional: +13.5V supply - in (ext. accumulator)	22	pwr
10	optional: +13.5V supply - in (ext. accumulator)	22	pwr
11	AUX supply - out	22	pwr
12	+13.5V supply - out	22	pwr
13	+13.5V supply - out	22	pwr
14	+13.5V supply - out	22	pwr
15	+13.5V supply - out	22	pwr
16	+ 13.5V supply - in	22	pwr
17	+ 13.5V supply - in	22	pwr
18	+ 13.5V supply - in	22	pwr
19	+ 13.5V supply - in	22	pwr
20	GND supply	22	pwr
21	GND supply	22	pwr
22	GND supply	22	pwr
23	optional: +13.5V supply - in (ext. accumulator)	22	pwr
24	optional: +13.5V supply - in (ext. accumulator)	22	pwr
25	AUX supply - out	22	pwr
26	+13.5V supply - out	22	pwr
27	+13.5V supply - out	22	pwr
28	+13.5V supply - out	22	pwr
29	+13.5V supply - in	22	pwr
30	+13.5V supply - in	22	pwr
31	Marshalling command - in (switch to GND)	26	digital in
32	AUX supply command - in (switch to GND)	26	digital in
33	CAN low	26	data
34	CAN high	26	data
35	Marshalling command E-Clutch - out*	26	digital out
36	Marshalling command E-Shift paddle up - out*	26	digital out
37	Marshalling command E-Shift paddle down - out*	26	digital out

\* Highside / lowside input configurable via software

Type No. 210-014-011



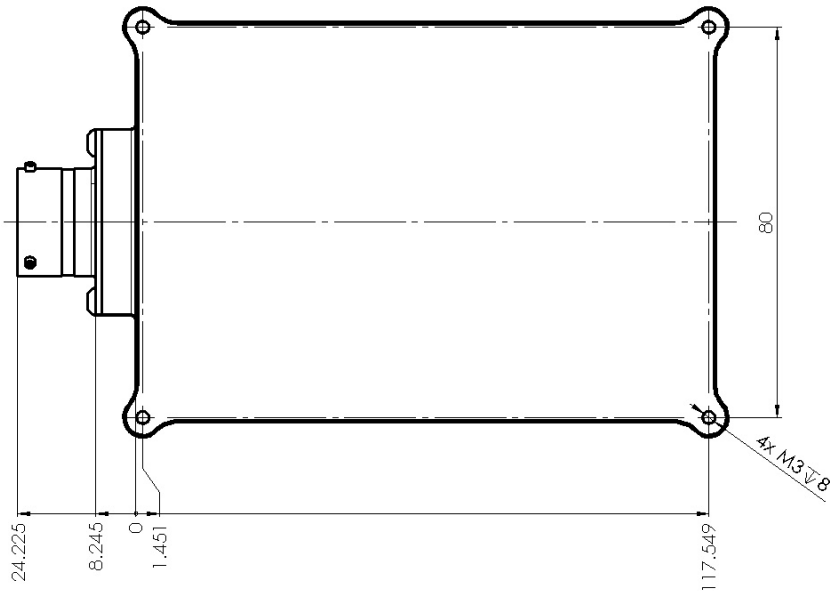
MEGA-Line  
RACING ELECTRONIC GmbH  
Haunersdorfer Str.3  
D - 93342 Saal a.d. Donau

Germany

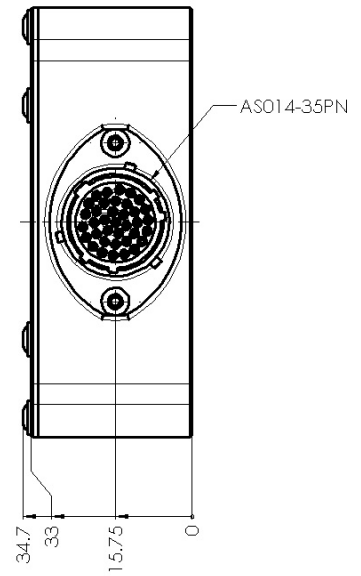
Phone: +49 (0) 9441 6866 - 0  
Fax: +49 (0) 9441 6866 - 11

Mail: info@mega-line.com  
Web: www.mega-line.com

Assembly dimensions



front view



side left view

Type No. 210-014-011



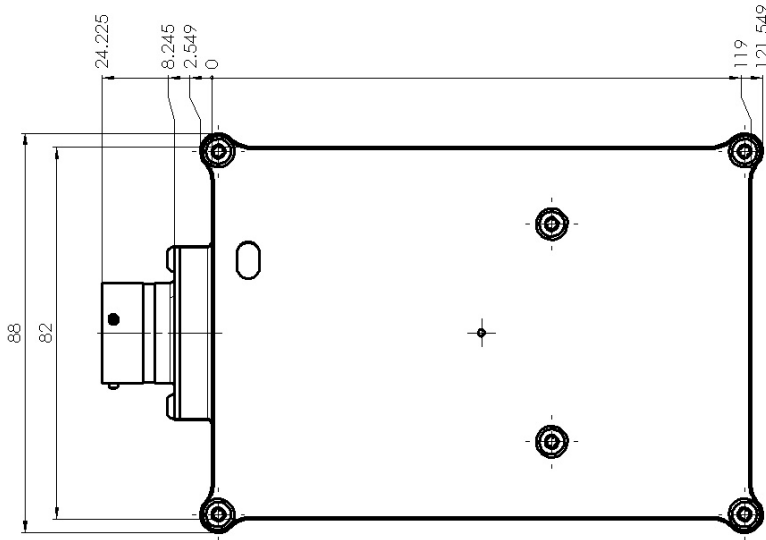
MEGA-Line  
RACING ELECTRONIC GmbH  
Haunersdorfer Str.3  
D - 93342 Saal a.d. Donau

Germany

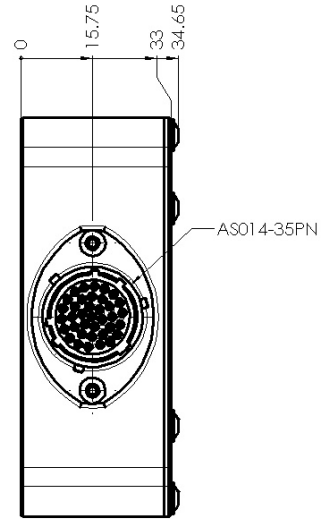
Phone: +49 (0) 9441 6866 - 0  
Fax: +49 (0) 9441 6866 - 11

Mail: info@mega-line.com  
Web: www.mega-line.com

Mechanical dimensions



front view



side left view

### Operation diagram

