

"Drive by wire" - Electric throttle control actuator



MEGA-Line
RACING ELECTRONIC GmbH
Haunersdorfer Str.3
D - 93342 Saal a.d. Donau

Germany

Phone: +49 (0) 9441 6866 - 0
Fax: +49 (0) 9441 6866 - 11

Mail: info@mega-line.com
Web: www.mega-line.com

Type No. 359-131-012b

Description / features

The new electric throttle control actuator for drive by wire systems was specifically developed for motorsport requirements. For the increased demands in race cars, a damper is integrated which guarantees excellent durability and stability. The actuator is mechanically and electrically compatible with production actuators. The new actuator also weighs less than its production counterparts. Integrated data recording saves run times and average and maximum temperatures of the actuator. The data can be downloaded via a service interface.

Technical specifications

Electronic data:

Operating voltage 13.5V nom.
Operating current max 7.5 A

Mechanical data:

Dimensions L x W x H approx. 115 x 162 x 117 mm
Weight approx. 870 g
Angle of rotation max. 125°
Torsional constant 380 mNm/A

Connector:

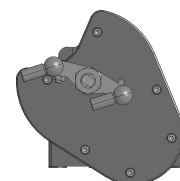
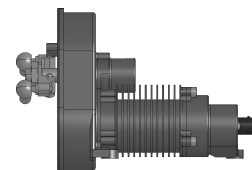
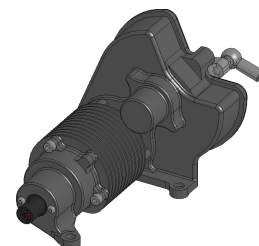
Deutsch 6 pin AS008-35PN
Deutsch 6 socket, loom side AS608-35SN

Temperature range:

Ambient (min/max) 0 .. +125°C

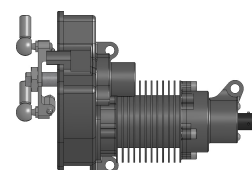
Ordering information:

Article no. 359-131-012b
Order no. 9367



Pin assignment

Pin	Function	Dia [AWG]	Type
1	power supply (H-bridge)	22	pwr
2	power supply (H-bridge)	22	pwr
3	ground supply (H-bridge)	22	pwr
4	ground supply (H-bridge)	22	pwr
5	service interface	22	data
6	service interface	22	data



"Drive by wire" - Electric throttle control actuator



Type No. 359-131-012b

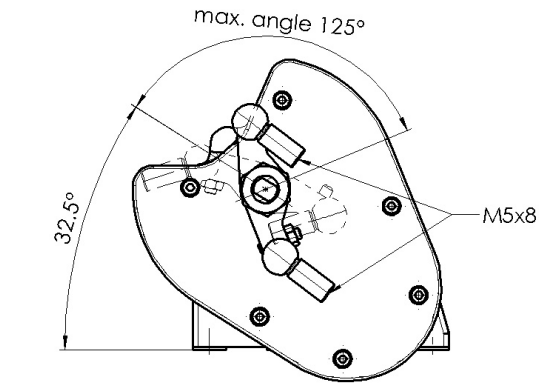
MEGA-Line
RACING ELECTRONIC GmbH
Haunersdorfer Str.3
D - 93342 Saal a.d. Donau

Germany

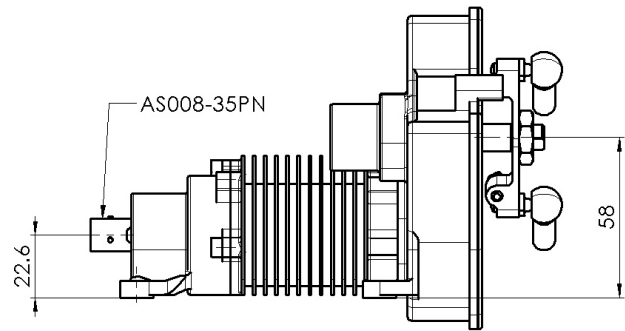
Phone: +49 (0) 9441 6866 - 0
Fax: +49 (0) 9441 6866 - 11

Mail: info@mega-line.com
Web: www.mega-line.com

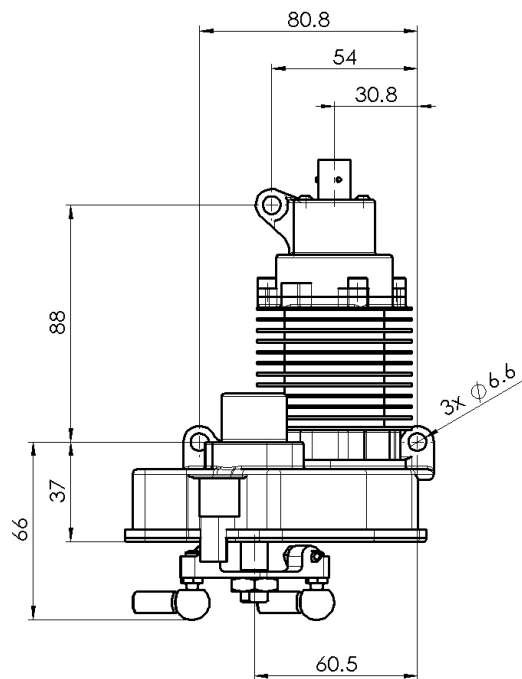
Assembly dimensions



front view



side left view



top view

Type No. 359-131-012b

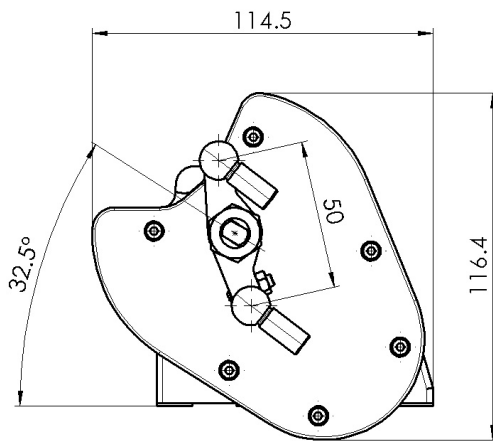
MEGA-Line
RACING ELECTRONIC GmbH
Haunersdorfer Str.3
D - 93342 Saal a.d. Donau

Germany

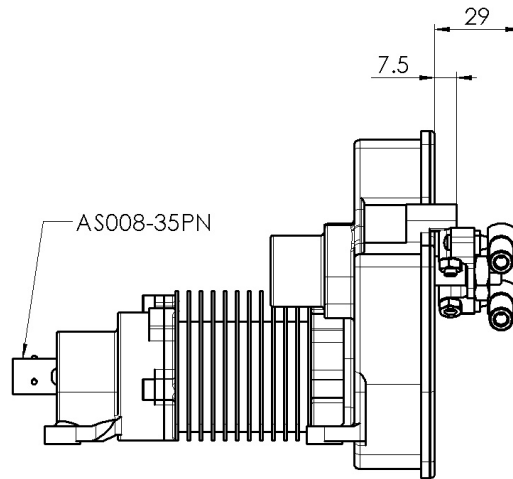
Phone: +49 (0) 9441 6866 - 0
Fax: +49 (0) 9441 6866 - 11

Mail: info@mega-line.com
Web: www.mega-line.com

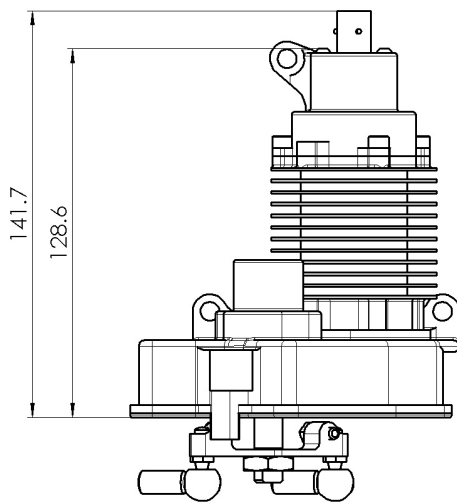
Mechanical dimensions



front view



side left view



top view