

Type No. 430-211-011 ClubSport



MEGA-Line
RACING ELECTRONIC GmbH
Haunersdorfer Str.3
D - 93342 Saal a.d. Donau

Germany

Phone: +49 (0) 9441 6866 - 0
Fax: +49 (0) 9441 6866 - 11

Mail: info@mega-line.com
Web: www.mega-line.com

Description / features

The central unit is the heart of the MEGA-Line AGS, which includes the electronic control system and the compressor with reservoir. One hose supplies an external valve block with air. For a complete gearshift system external valve block, shift cylinder, blip actuator and shift paddles have to be added.

Communication with other electronic systems is made via CAN Bus and/or analog signals. Parameters can be modified via an USB interface.

Technical specifications

Electronic data:

Operating voltage	11 .. 15V DC
Operating current (electronic) nom.	< 400mA
Operating current (electronic) with activated valves	< 1500mA
Operating current (compressor)	approx. 16A @ 40% duty cycle

Mechanical data:

Dimensions L x W x H	approx. 230 x 162 x 130 mm
Weight	approx. 2860 g / 6.3lb
Fitting for air pressure outlet	Dash6

Pneumatic data:

Max. operating pressure	6 bar
-------------------------	-------

Connector:

ST1 Main	CINCH 30 pin	SHS Header
ST2 Valve Block	Deutsch 6 pin code red	AS008-35SN
ST3 Programm	Deutsch 6 pin code yellow	AS008-35SA

Temperature range:

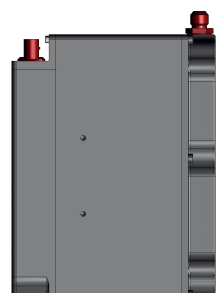
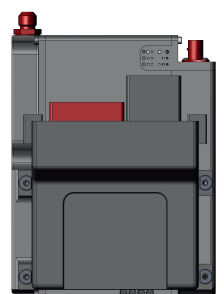
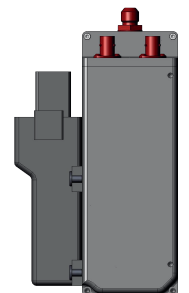
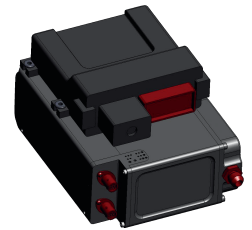
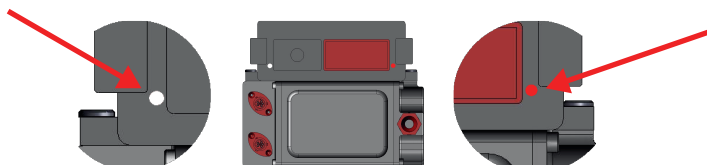
Operating temperature (min/max)	0 .. 60°C
Recommended operating temperature	< 50°C

Ordering information:

Article no.	430-211-011
Order no.	10592

Status indication

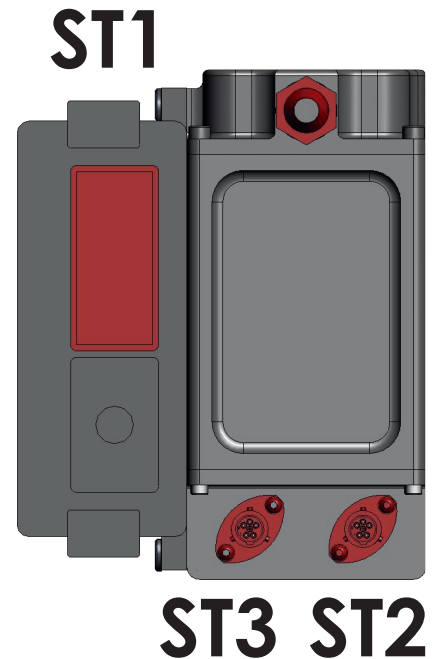
Life LED	white
Error LED	red



Type No. 430-211-011 ClubSport

Pin assignment (electric)

ST1 - Main			
Pin	Function	Dia [AWG]	Type
A1	power supply compressor	20	pwr
A2	ground compressor	20	pwr
A3	ground compressor	20	pwr
B1	power supply compressor	20	pwr
B2	power supply electronic	20	pwr
B3	ground electronic	20	pwr
C1	neutral button	22	digital in
C2	pClutch (switch to +12V)	22	digital in
C3	valve blip	22	digital out
D1	reverse button	22	digital in
D2	nc	-	-
D3	nc	-	-
E1	sensor ground	22	pwr
E2	CAN1 high	22	data
E3	CAN1 low	22	data
F1	+5V gearpot 1	22	pwr
F2	gnd gearpot 1	22	pwr
F3	gearpot 1	22	analog in
G1	AN2 (u_blip2)	22	analog out
G2	AN1 (u_blip1)	22	analog out
G3	p_clutch (switch to GND)	22	analog in
H1	nc	-	-
H2	AN3 (power_cut)	22	analog out
H3	AN4 (gearpot)	22	analog out
J1	emergency indicator	22	digital out
J2	pClutch (analog in 0..5V)	22	analog in
J3	extern gnd sense	22	analog in
K1	paddle up	22	digital in
K2	paddle down	22	digital in
K3	emergency switch	22	digital in



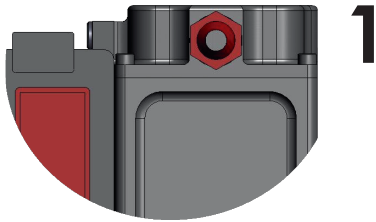
ST2 - Valve Block			
Pin	Function	Dia [AWG]	Type
1	power valve block	22	pwr
2	ground valve block	22	pwr
3	valve up	22	digital out
4	valve down	22	digital out
5	valve blip	22	digital out
6	temperature valve block	22	analog in

ST3 - Programm interface			
Pin	Function	Dia [AWG]	Type
1	+12V power supply	22	pwr
2	ground	22	pwr
3	USB+	22	data
4	USB-	22	data
5	CAN2 high	22	data
6	CAN2 low	22	data

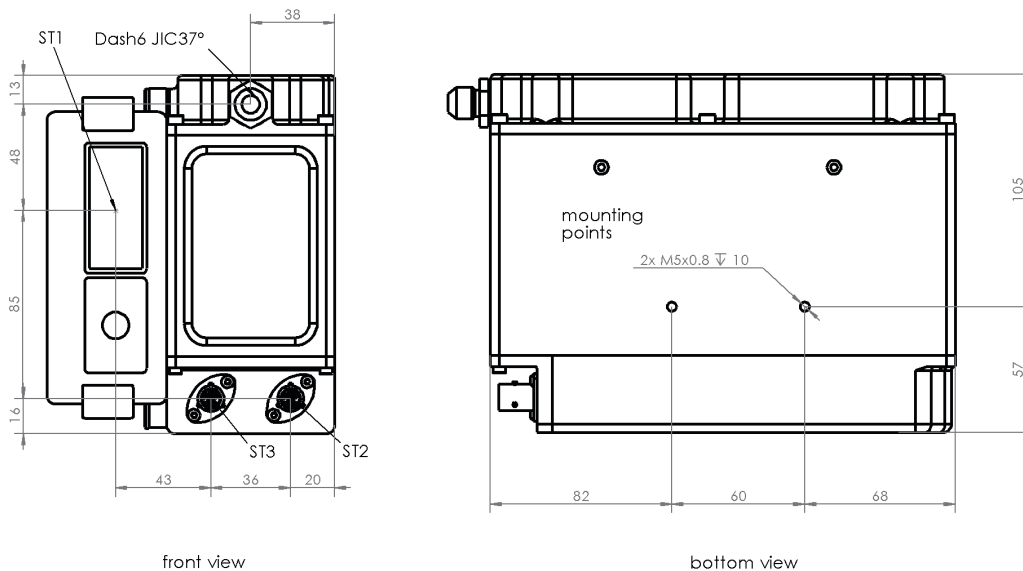
Type No. 430-211-011 ClubSport

Port description (pneumatic)

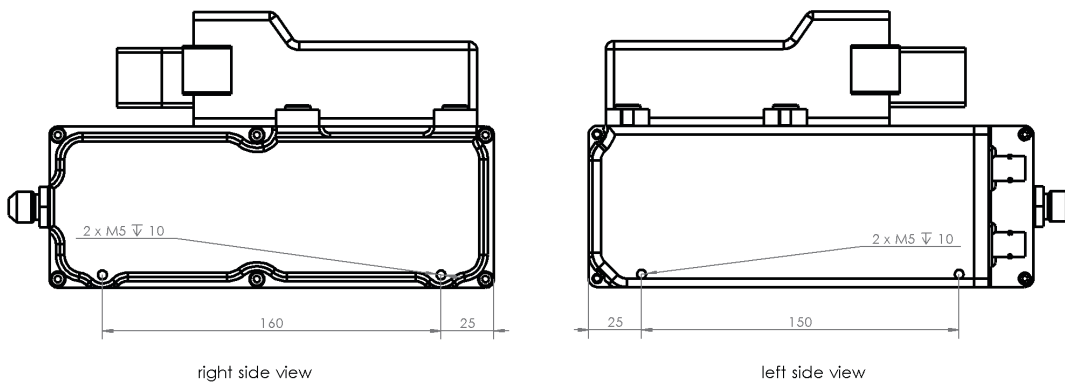
Port	Function	Dimension	max.torque [Ncm]
1	Air pressure outlet	Dash6	1200



Assembly dimensions



Alternative mounting points



If using alternative mounting points - all 4 drillings (2 on both sides) have to be used

Type No. 430-211-011 ClubSport



MEGA-Line
RACING ELECTRONIC GmbH
Haunersdorfer Str.3
D - 93342 Saal a.d. Donau

Germany

Phone: +49 (0) 9441 6866 - 0
Fax: +49 (0) 9441 6866 - 11

Mail: info@mega-line.com
Web: www.mega-line.com

Mechanical dimensions

