

**Type No. 460-021-011**



MEGA-Line  
RACING ELECTRONIC GmbH  
Haunersdorfer Str.3  
D - 93342 Saal a.d. Donau

Germany

Phone: +49 (0) 9441 6866 - 0  
Fax: +49 (0) 9441 6866 - 11

Mail: info@mega-line.com  
Web: www.mega-line.com

## Description / features

The central unit, which includes the electronic control system and compressor with reservoir, is the heart of the MEGA-Line AGS. One hose supplies an external actuator (including the shift valves) with air. A shift cylinder, blip actuator and shift paddles have to be added for a complete gearshift system.

Communication with other electronic systems is made via CAN Bus. Parameters can be modified via a USB interface.

## Technical specifications

### Electronic data:

Operating voltage	13.5V nom.
Operating current (electronic)	approx. 400mA
Operating current (compressor)	approx. 10A @ 30% duty cycle

### Mechanical data:

Dimensions L x W x H	approx. 170 x 75 x 135 mm
Weight	approx. 2100 g
Fitting for air pressure outlet	Dash6

### Pneumatic data:

Max. operating pressure	6 - 8 bar
-------------------------	-----------

### Connector:

Deutsch 22 pin	AS212-35PN
----------------	------------

### Temperature range:

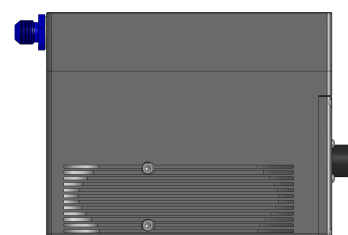
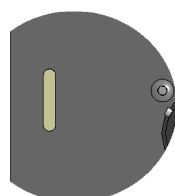
Ambient (min/max)	0 .. +65°C
-------------------	------------

### Ordering information:

Article no.	460-021-011
Order no.	9729

## Status indication

Life LED	yellow
Error LED	red



Type No. 460-021-011



MEGA-Line  
RACING ELECTRONIC GmbH  
Haunersdorfer Str.3  
D - 93342 Saal a.d. Donau

Germany

Phone: +49 (0) 9441 6866 - 0  
Fax: +49 (0) 9441 6866 - 11

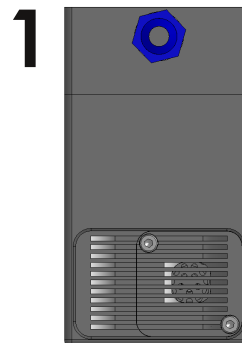
Mail: info@mega-line.com  
Web: www.mega-line.com

## Pin assignment (electric)

Pin	Function	Dia [AWG]	Type
1	power supply electronic	22	pwr
2	ground electronic	22	pwr
3	valve up	22	digital out
4	valve down	22	digital out
5	valve blip	22	digital out
6	CUT	22	analog out
7	power supply compressor	22	pwr
8	power supply compressor	22	pwr
9	ground compressor	22	pwr
10	ground compressor	22	pwr
11	CAN1 high	26	data
12	CAN1 low	26	data
13	USB +	26	data
14	USB -	26	data
15	paddle up	24	digital in
16	paddle down	24	digital in
17	emergency switch	24	digital in
18	CAN2 high	26	data
19	CAN2 low	26	data
20	gearpot supply	24	pwr
21	gearpot gnd	24	pwr
22	gearpot	24	analog in

## Port description (pneumatic)

Port	Function	Dimension	max.torque [Ncm]
1	Air pressure outlet	Dash6	1200



Type No. 460-021-011

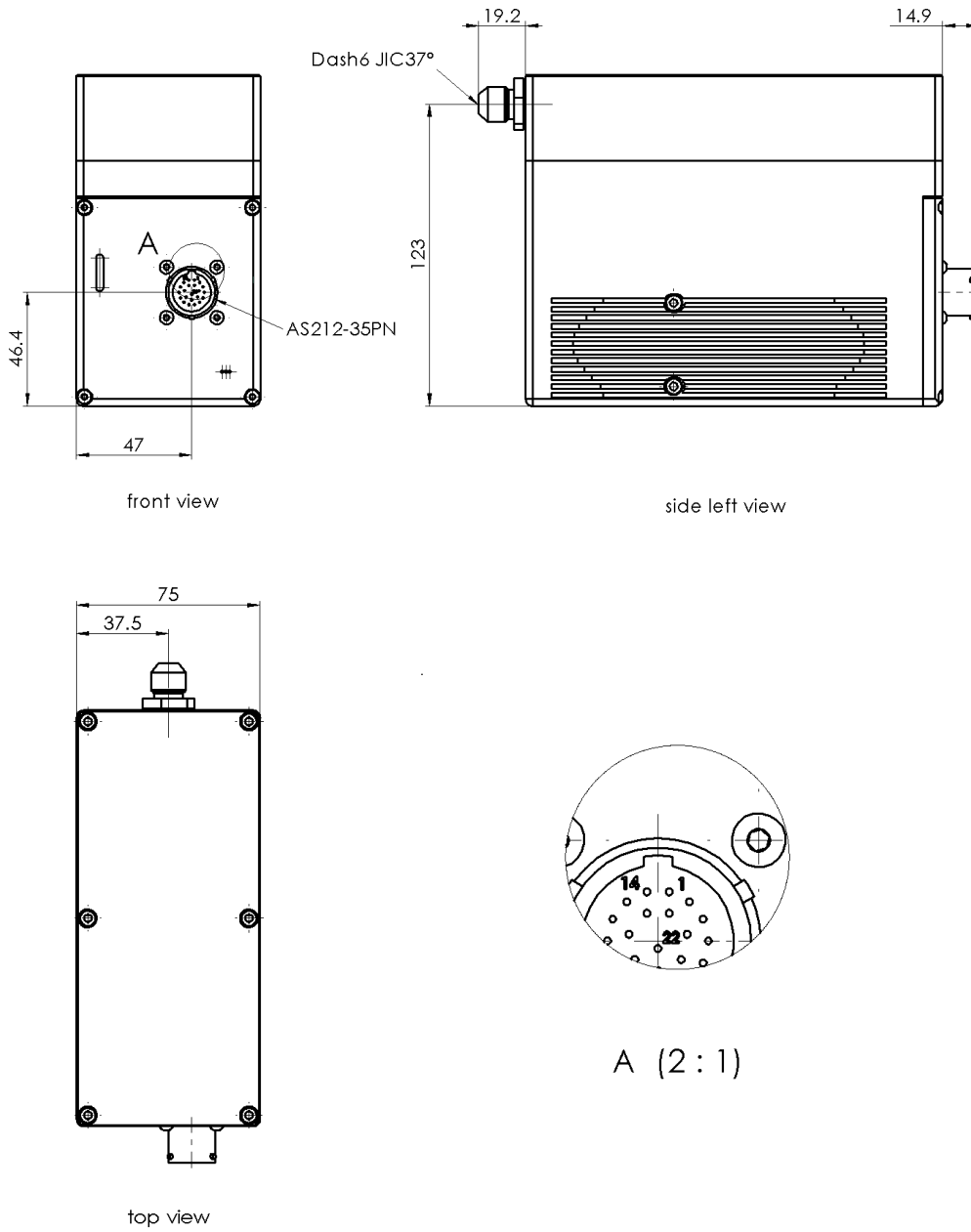
MEGA-Line  
RACING ELECTRONIC GmbH  
Haunersdorfer Str.3  
D - 93342 Saal a.d. Donau

Germany

Phone: +49 (0) 9441 6866 - 0  
Fax: +49 (0) 9441 6866 - 11

Mail: info@mega-line.com  
Web: www.mega-line.com

## Assembly dimensions



## Type No. 460-021-011

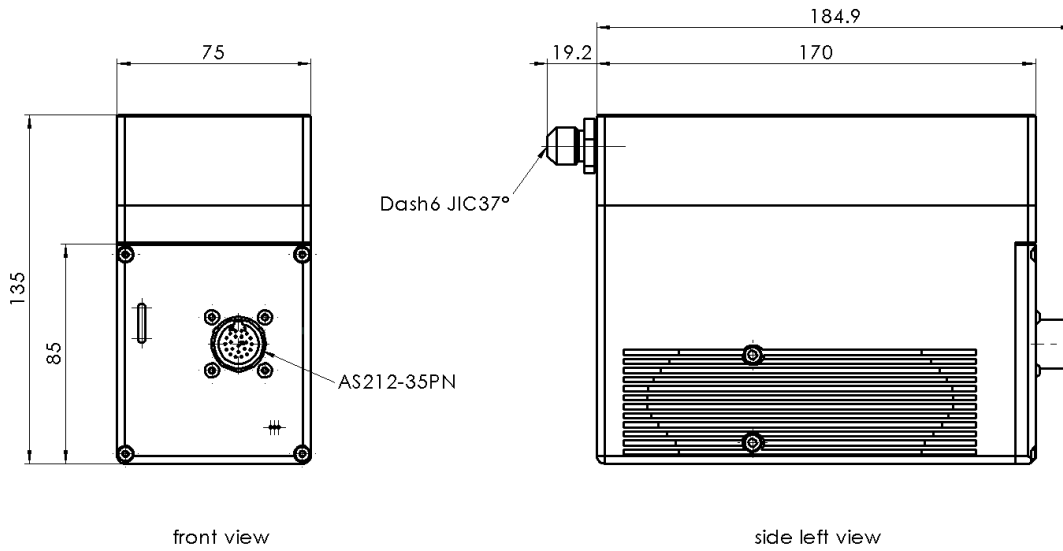
MEGA-Line  
RACING ELECTRONIC GmbH  
Haunersdorfer Str.3  
D - 93342 Saal a.d. Donau

Germany

Phone: +49 (0) 9441 6866 - 0  
Fax: +49 (0) 9441 6866 - 11

Mail: [info@mega-line.com](mailto:info@mega-line.com)  
Web: [www.mega-line.com](http://www.mega-line.com)

### Mechanical dimensions



### Attention!

